

## mast head fitting & backstay crane, with ball races

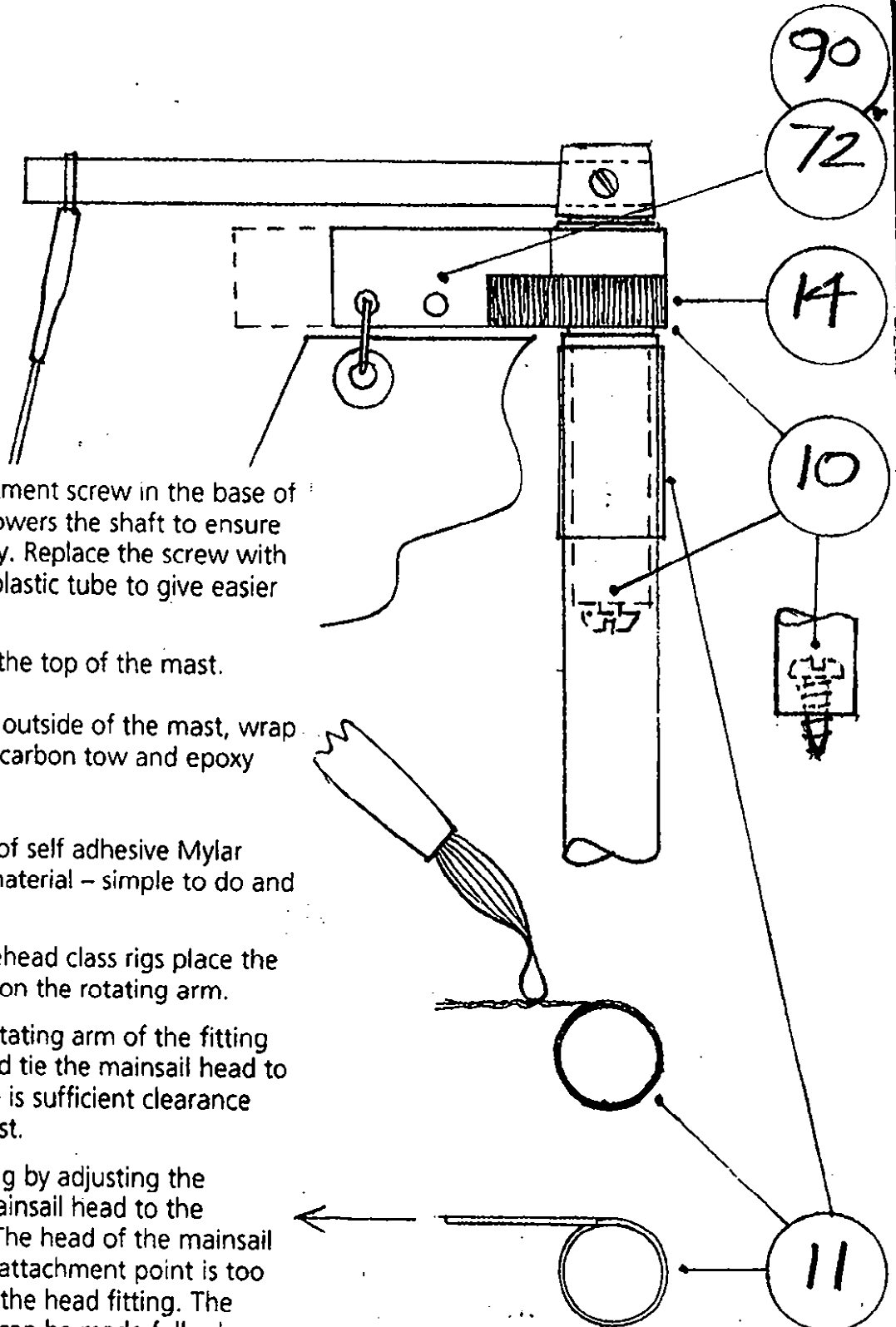
pack contents

shaft housing, plastic, with adjustment screw in base  
shaft, black anodised aluminium, with locking grub screw  
arm, plastic, with two ball races  
backstay crane, carbon fibre  
1.25 mm AF Allen key

tel + 44 (0) 1376 570583

sales@sailsetc.com

sailsetc.com



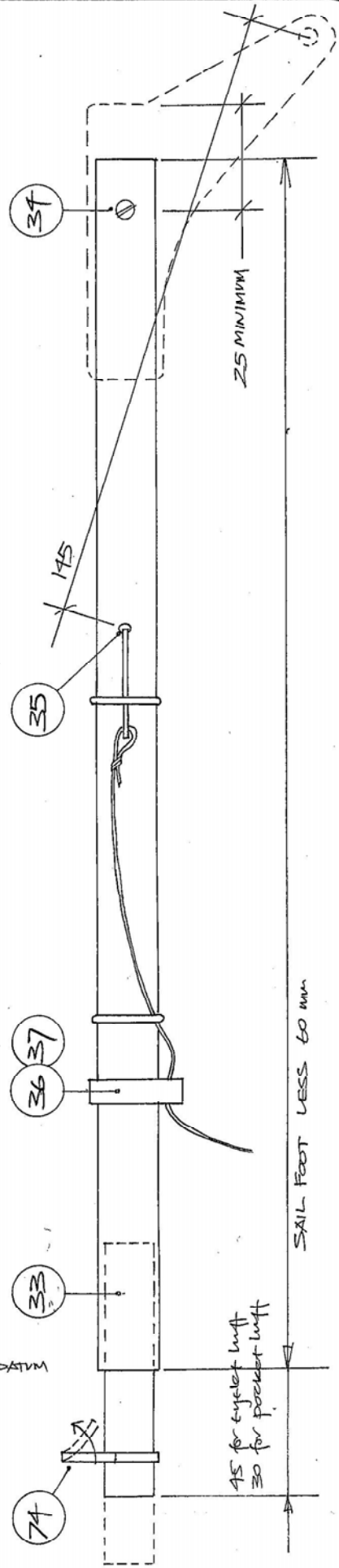
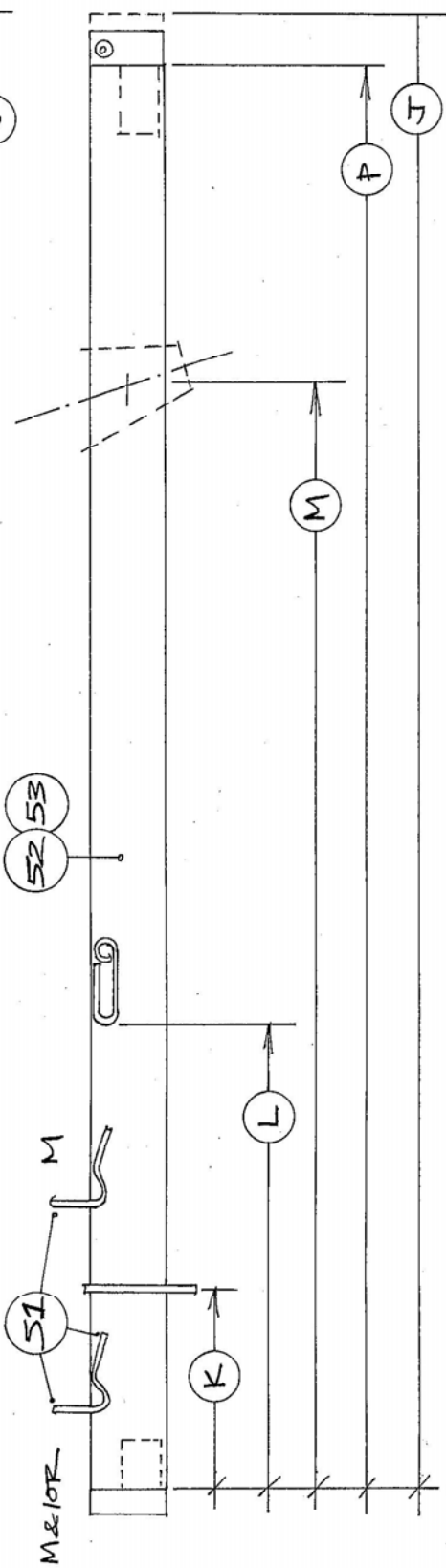
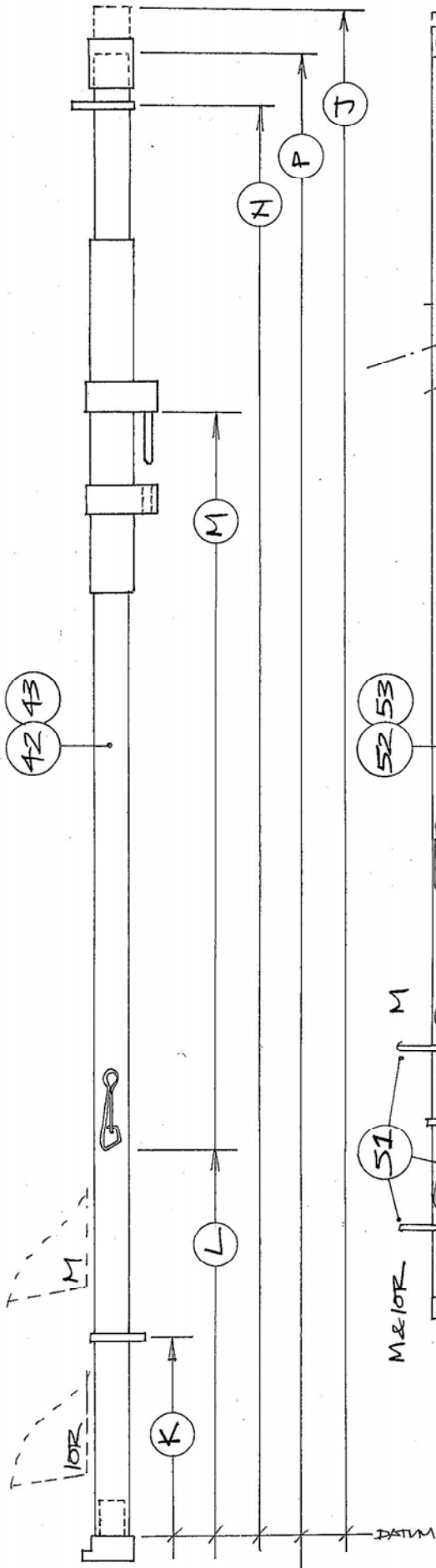
**10** The adjustment screw in the base of the fitting raises or lowers the shaft to ensure the arm rotates freely. Replace the screw with the head inside the plastic tube to give easier access if you prefer.

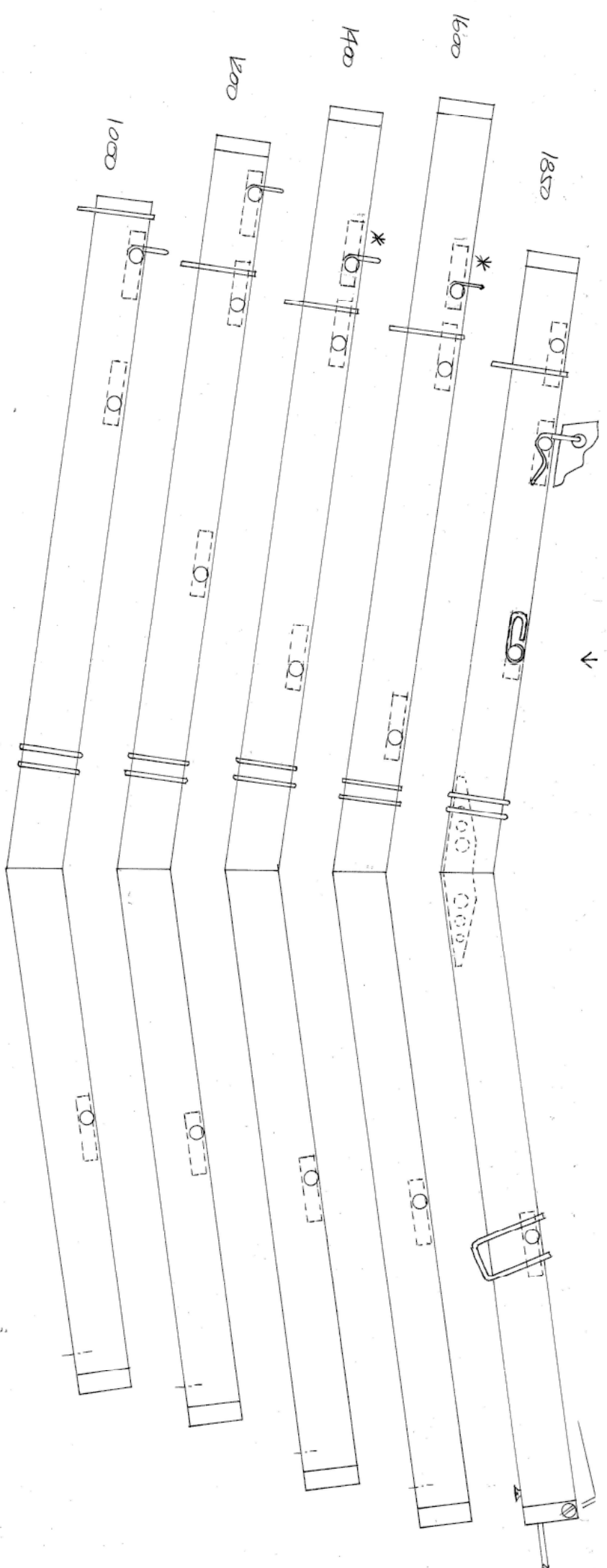
**11** Reinforce the top of the mast.  
Either  
a) after abrading the outside of the mast, wrap the top 20 mm with carbon tow and epoxy resin.  
Or  
b) use several wraps of self adhesive Mylar tape or deck patch material – simple to do and easy to maintain.

**14** For Marblehead class rigs place the measurement bands on the rotating arm.

**72** Drill the rotating arm of the fitting with several holes and tie the mainsail head to the arm so that there is sufficient clearance between luff and mast.

**90** Tune the rig by adjusting the attachment of the mainsail head to the rotating arm fitting. The head of the mainsail will be too flat if the attachment point is too far aft on the arm of the head fitting. The head of the mainsail can be made fuller by moving the attachment point forward.





→

→

Rigging Plan RP15d - for Prime Number or QUARK

SAILSetc

QUARK

These dimensions are for boats where the foredeck is raised and the mainsail tack is 15 mm above the foredeck (deck limit mark)

See Rigging Plan RP15d and Kit Instructions K115d for more information

Please report any errors to SAILSetc - phone + 44 01376 570 583 - e mail to technical@sailsetc.com

**Marblehead - round tube masts specifically for Prime Number & QUARK**

custom rigs													dimensions are all taken to a datum point at deck level				mainsail boom			
mainsail luff	length of 14 mm diameter tube	length of 12 mm diameter tube	length of 10 mm diameter tube	top of lower limit mark	top of 12 mm diam reinfrmnt piece	bottom of middle limit mark	top of mast tube if 23-100 used	top of mast if 23g used	bottom of 12 mm reinfrmnt piece	bottom of mast	length of backstay between eyes	length of 12 mm reinforcement for mast	length of 14 mm for main boom	length of 12 mm for main boom	length of overlap joint	length of 12 mm for main boom				
Luff	14	12	10	A	B	C	D	E	F	G	H	12	14 **	12 **		12 **				
2140	1000	880	500	25	125	1732	2145	2165	-75	check	2184	200	**	250	75	30				
2125	1000	865	500	25	125	1720	2130	2150	-75	check	2169	200	14 mm	250	75	30				
2100	1000	845	495	25	125	1700	2105	2125	-75	check	2145	200	14 mm	250	75	30				
2080	1000	830	490	25	125	1684	2085	2105	-75	check	2126	200	diam may	260	75	30				
1900	950	735	455	25	125	1540	1905	1925	-75	check	1953	200	be up to	290	75	30				
1850	925	720	445	25	125	1500	1855	1875	-75	check	1905	200	100 mm	300	75	30				
1800	900	705	435	25	125	1460	1805	1825	-75	check	1857	200	shorter	310	75	30				
1700	850	675	415	25	125	1380	1705	1725	-75	check	1762	200	than this	330	75	30				
1600	800	645	395	25	125	1300	1605	1625	-75	check	1667	200	providing	350	75	30				
1500	750	615	375	25	125	1220	1505	1525	-75	check	1573	200	12 mm is	370	75	30				
1500	750	615	375	25	125	1220	1505	1525	-75	check	1573	200	125 mm	350	75	30				
1420	710	595	355	25	125	1156	1425	1445	-75	check	1499	200	longer	350	75	30				
1400	700	585	355	25	125	1140	1405	1425	-75	check	1480	200	to allow	350	75	30				
1300	650	555	335	25	125	1060	1305	1325	-75	check	1388	200	for a 50 mm	350	75	30				
1250	625	540	325	25	125	1020	1255	1275	-75	check	1342	200	overlap	330	75	30				
1200	600	525	315	25	125	980	1205	1225	-75	check	1296	200		330	75	30				
1100	550	495	295	25	125	900	1105	1125	-75	check	1206	200		290	75	30				
1050	525	480	285	25	125	860	1055	1075	-75	check	1162	200		290	75	30				
1000	500	465	275	25	125	820	1005	1025	-75	check	1117	200		290	75	30				
custom rigs													deck datum				main sheet			
aft end to sheet attachment	aft end to sheet adjustment point	aft end to swivel position	aft end to forestay attachment	aft end to fore end of boom spar.	length of boom material supplied	reinforce piece of 10 mm	type of boom material		deck datum to lower point	deck datum to heel	main sheet attach aft of gn axis		main luff	main B dim	headsail luff	headsail foot				
Luff	K	L	M	N	P	J	10		25	125	235									
2140	4		282	352	372	372	100	8 mm CF			aft *	fore *	2140	298	1380	299				
2125	7	x	284	355	375	375	100	8 mm CF			part of boom	part of boom	2125	300	1365	302				
2100	9	x	287	358	378	378	100	8 mm CF			L2	L1	2100	304	1353	305				
2080	13	x	291	363	383	383	100	8 mm CF					2080	306	1350	310				
1900	23	x	300		377	377		SAILSetc					1900	336	1250	330				
1850	27	x	304		382	382		SAILSetc	SAILSetc	193	200		1850	346	1225	335				
1800	33	x	310		389	389		SAILSetc	SAILSetc	200	200		1800	356	1200	342				
1700	55	x	332		418	418		SAILSetc	SAILSetc	228	200		1700	375	1150	370				
1600	65	x	342		430	430		SAILSetc	SAILSetc	240	200		1600	399	1110	382				
1500	83	x	360		452	452		SAILSetc	SAILSetc	262	200		1500	420	1075	404				
1500	55	v	333		418	418		SAILSetc	SAILSetc	238	190		1500	399		382				
1420	55	x	333		418	418		SAILSetc	SAILSetc	238	190		1420	399	1030	382				
1400	55	x	333		418	418		SAILSetc	SAILSetc	238	190		1400	399	1000	382				
1300	56	x	333		418	418		SAILSetc	SAILSetc	238	190		1300	399	940	382				
1250	32	x	309		388	388		SAILSetc	SAILSetc	228	170		1250	383	915	382				
1200	32	x	309		388	388		SAILSetc	SAILSetc	228	170		1200	383	870	382				
1100	8	x	286		359	359		SAILSetc	SAILSetc	209	160		1100	344	810	353				
1050	8	x	286		359	359		SAILSetc	SAILSetc	209	160		1050	344	775	353				
1000	9	x	286		359	359		SAILSetc	SAILSetc	209	160		1000	344	775	353				

\* measured on bottom face of boom

# Rigging Plan RP15d - for Marblehead & Ten Rater Class

2014

## Rigs based on Ten Rater Series Sails - GB

These dimensions are for a Ten Rater rig where the foredeck is raised and the mainsail tack is 15 mm above the foredeck

These dimensions are for a Ten Rater rig with certain specified sail foot dimensions

If rigs are required for rigs with other sail foot dimensions please ask for the specially prepared sheet.

See Rigging Plan RP15d and Kit Instructions K115d for more information

Please report any errors to SAILSetc - phone + 44 01376 570 583 - e mail to technical@sailsetc.com

### Ten Rater - round tube masts

### DIAMOND

mast dimensions - Series sails

dimensions are all taken to a datum point at deck level

mainsail luff	length of 14 mm diameter tube	length of 12 mm diameter tube	length of 10 mm diameter tube	top of 12 mm limit mark	top of 12 mm diameter reinfrmnt piece	top of 12 mm mast if 23-100 used	top of 12 mm mast if 23g used	bottom of 12 mm reinfrmnt piece	bottom of mast	eye of backstay wire below tack	length of 12 mm reinforcement for mast	specify sizes main diag dim	headsail foot
Luff	14	12	10	A	B	C	D	E	F	G	H	12	
2200	1000	1000	490	15	155	1770	2195	2215	95	check	-7	250	
2100	1000	920	470	15	155	1690	2095	2115	95	check	-4	250	471 427
2000	1000	840	450	15	155	1610	1995	2015	95	check	0	250	471 423
1900	1000	760	430	15	155	1530	1895	1915	95	check	4	250	471 413
1800	1000	680	410	15	155	1450	1795	1815	95	check	9	250	471 407
1700	1000	600	390	15	155	1370	1695	1715	95	check	14	250	471 400
1600	1000	520	370	15	155	1290	1595	1615	95	check	19	250	471 393
1500	960	480	350	15	155	1210	1495	1515	95	check	25	250	471 387
1400	910	450	330	15	155	1130	1395	1415	95	check	32	250	465 371
1300	860	420	310	15	155	1050	1295	1315	95	check	40	250	459 355
1250	835	405	300	15	155	1010	1245	1265	95	check	45	250	455 347
1200	810	390	290	15	155	970	1195	1215	95	check	49	250	451 345
1100	760	360	270	15	155	890	1095	1115	95	check	59	250	446 343
1000	710	330	250	15	155	810	995	1015	95	check	71	250	440 340

mainsail boom	14 mm tube for 12b gn 2013 version	12 mm tube for 12b gn 2013 version	14 mm tube for 12c gn	12 mm tube for 12c gn	insert radius as required for g'neck	10 Rater rig - headsail boom dimensions	aft end to sheet attachment	aft end to sheet adjustment point	aft end to swivel position	aft end to forestay attachment	aft end to fore end of boom	length of boom material	reinforce piece of 10 mm	type of principal boom material	mainsail boom	mainboom pivot distance for gn
Luff	14	12	14	12	R	K	L	M	N	P	J	10			R2	250
2200	-50	75	190	-100	250	-274	x		13	17	37	37	100	8 mm CF		
2100	420	75	190	371	250	58	x		345	445	465	465	100	8 mm CF	use 250 for 12b/12c	
2000	420	75	190	371	250	55	x		342	441	461	461	100	8 mm CF	and 235 for others	
1900	420	60	190	371	250	47	x		334	431	434	428		SAILSetc		
1800	420	60	190	371	250	42	x		330	426	429	423		SAILSetc		
1700	420	60	190	371	250	37	x		324	419	422	416		SAILSetc		
1600	420	60	190	371	250	32	x		319	412	415			SAILSetc		
1500	420	60	190	371	250	27	x		314	406	409	403		SAILSetc		
1400	410	60	190	365	250	15	x		302	390	393	387		SAILSetc		
1300	400	60	190	359	250	2	x		290	374	377	371		SAILSetc		
1250	400	60	190	355	250	-4	x		284	366	369	363		SAILSetc		
1200	400	60	190	351	250	-5	x		282	364	367	361		SAILSetc		
1100	390	60	190	346	250	-7	x		281	362	365	359		SAILSetc		
1000	390	60	190	340	250	-9	x		278	359	362	356		SAILSetc		